

**PREMIER
SPECIFICATIONS**

PREMIER SERIES CABINET SPECIFICATIONS

- FRONT FRAME:** 3/4" Thick kiln dried solid hardwood (wood door styles) or thermofoil vinyl wrapped solid finger jointed lumber or LVL linear veneer lumber (thermofoil and laminate door styles). Mortise and tenon or bore and dowel construction frame joinery reinforced with glue and nail. Stiles 1 1/2" wide. Mulls 3" wide. Rails 1 3/4" wide. Stiles and top and bottom rails dadoed to receive ends, tops and bottoms.
- END PANELS:**
Standard: Nominal 1/2" thick (12mm) industrial grade, wood based composite panel dadoed to receive tops and bottoms, with wood grained or white laminate on exterior surface. Maple grained or white laminate on interior surface. All end panels are inserted into dado in face frame and recessed 3/16".
Upgrade Option: Nominal 1/2" thick (12mm) multi-ply hardwood plywood with oak, maple or cherry veneer on exterior surface and birch veneer on interior surface. All end panels are constructed with the same dado joinery as above and are recessed 3/16".
- TOP/BOTTOM PANELS:** Nominal 1/2" thick (12mm) Industrial grade, wood based composite panel with maple grained or white laminate on exterior and interior surfaces for wall cabinets and interior surface for base cabinets.
- HANGING RAILS:** Wall cabinets have nominal 3/4" thick (18mm) x 3" high multi-ply hardwood plywood or 3/4" thick x 3 7/16" high solid lumber with white laminate. Each is running full cabinet length at the top and bottom. Base cabinets have a nominal 1/2" thick (12mm) x 3" high industrial grade composite panel with maple grained or white laminate at the top.
- BACK PANEL:** 1/8" Hardboard with maple grained or white interior surface.
- SHELVES:** Nominal 5/8" thick (15mm) industrial grade wood based composite panel with maple grained or white laminate on both faces and matching edgeband on facing edge. Shelves are adjustable in all standard wall and base cabinets.
- TOE KICK:** Nominal 1/2" thick (12mm) industrial grade, unfinished wood based composite panel captured between end panels.
- BASE CORNER BRACES:** High impact, injection molded plastic.
- DRAWERS:** (Standard) Nominal 1/2" thick (12 mm) solid wood front, back and sides. Drawer bottoms are multi-ply hardwood plywood inserted into dado in front, back and sides. All drawer parts glued and stapled together.
- DRAWER GUIDES:** High quality epoxy coated steel, Cushion-Tec, side mounted guides, self adjusting in mounting brackets. Built-in stop, self-closing and stay-closed features with a 100 lb. rated load capacity.
- DOVETAIL DRAWER:** (Upgrade only) Front, back and sides are nominal 3/4" thick (19 mm) solid beech hardwood with dovetail construction. Drawer bottoms are nominal 3/16" (5 mm) multi-ply hardwood birch plywood inserted into dado in front, back and sides. Drawer bottoms are glued and stapled to sides.
- UNDERMOUNT DRAWER GUIDE:** (Standard with dovetail drawer only) High quality steel, undermount construction provides full drawer access. Self adjusting in mounting brackets. Built-in stop, self-closing and stay closed features with a 75 lb. rated load capacity.
- SOFT-CLOSE UNDERMOUNT DRAWER GUIDE:** (Deluxe upgrade with dovetail drawer only) High quality steel, undermount construction provides soft-close feature that helps reduce drawer slamming. Drawers are full extension, self adjusting in mounting brackets. Built-in stop, self-closing and stay closed features with a 100 lb. rated load capacity.
- HINGES:**
Standard: Heavy duty, high quality steel, concealed 6-way adjustable hinge with self-closing feature.
Optional: High quality steel wrap-around hinge with self closing feature. (Standard reveal door styles only)
- FINISH:** Furniture quality protective finish system on doors, drawer fronts, front frames and veneer plywood end panels consisting of sanding, stain, catalyzed sealer and catalyzed clear top coats.

PREMIER SERIES UPGRADE NOMENCLATURE

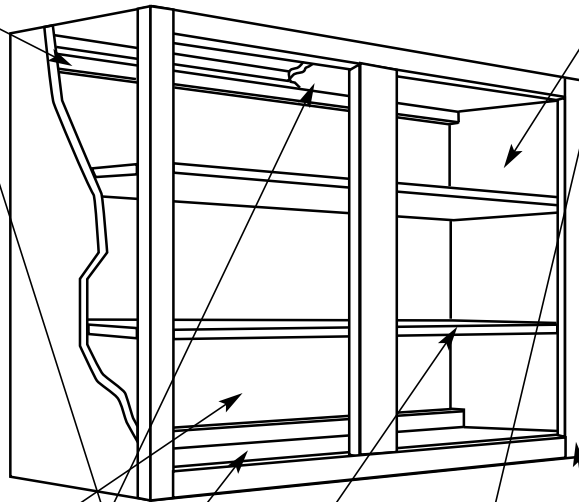
- Wall Cabinet with Oak, Maple or Cherry Plywood End Panels: WPEP(priced per cabinet)
 Base Cabinet with Oak, Maple or Cherry Plywood End Panels: BPEP(priced per cabinet)
 Tall Cabinet with Oak, Maple or Cherry Plywood End Panels: TPEP(priced per cabinet)
 Dovetail Drawers (includes undermount guide): DDU(priced per drawer)
 Large Dovetail Drawers (includes soft-close undermount guide): *LDDU(priced per drawer)
 Dovetail Drawers (includes soft-close undermount guide): DDSC(priced per drawer)
 Large Dovetail Drawers (includes soft-close undermount guide): *LDDSC(priced per drawer)
 Glazed Finish Dovetail Drawers (includes soft-close undermount guide): GDDSC(priced per drawer)
 Glazed Finish Large Dovetail Drawers (includes soft-close undermount guide): ... *GLDDSC(priced per drawer)

*Use for DB30 and DB36 cabinets on the deep drawers only



PREMIER SERIES CABINET SPECIFICATIONS

HANGING RAILS - Wall cabinets have nominal 3/4" thick (18mm) x 3" high multi-ply hardwood plywood or 3/4" thick x 3 7/16" high solid lumber with white laminate. Each is running full cabinet length at the top and bottom. Base cabinets have a nominal 1/2" thick (12mm) x 3" high industrial grade composite panel with maple grained or white laminate at the top.



END PANELS -

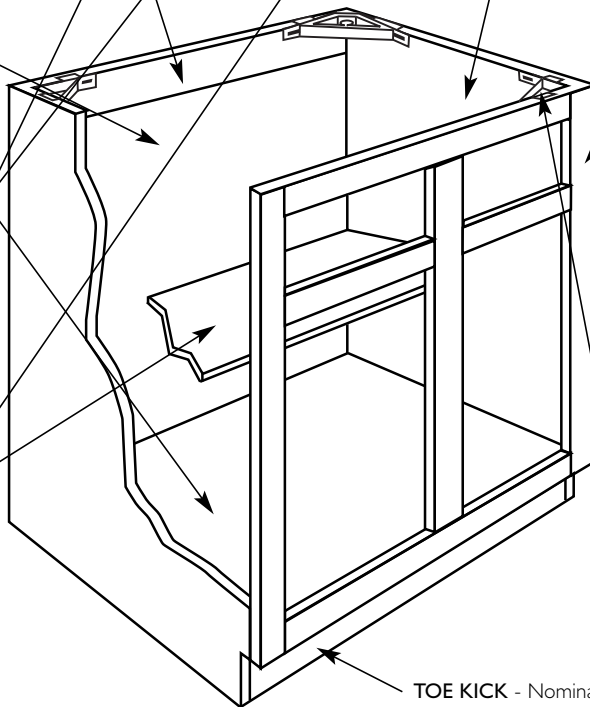
STANDARD: Nominal 1/2" thick (12mm) industrial grade, wood based composite panel dadoed to receive tops and bottoms, with wood grained or white laminate on exterior surface. Maple grained or white laminate on interior surface. All end panels are inserted into dado in face frame and recessed 3/16".

UPGRADE OPTION: Nominal 1/2" thick (12mm) multi-ply hardwood plywood with oak, maple or cherry veneer on exterior surface and birch veneer on interior surface. All end panels are constructed with the same dado joinery as above and are recessed 3/16".

BACK PANELS - 1/8" Hardboard with maple grained or white interior surface.

TOP/BOTTOM PANELS - Nominal 1/2" thick (12mm) Industrial grade, wood based composite panel with maple grained or white laminate on exterior and interior surfaces for wall cabinets and interior surface for base cabinets.

SHELVES - Nominal 5/8" thick (15mm) industrial grade wood based composite panel with maple grained or white laminate on both faces and matching edgeband on facing edge. Shelves are adjustable in all standard wall and base cabinets.



FRONT FRAME - 3/4" Thick kiln dried solid hardwood (wood door styles) or thermofoil vinyl wrapped solid finger jointed lumber or LVL linear veneer lumber (thermofoil and laminate door styles). Mortise and tenon or bore and dowel construction frame joinery reinforced with glue and nail. Stiles 1 1/2" wide. Mulls 3" wide. Rails 1 3/4" wide. Stiles and top and bottom rails dadoed to receive ends, tops and bottoms.

BASE CORNER BRACES - High impact, injection molded plastic.

TOE KICK - Nominal 1/2" thick (12mm) industrial grade, unfinished wood based composite panel captured between end panels.

DRAWERS - (Standard) Front, back and sides are nominal 1/2" thick (12 mm) solid wood. Drawer bottoms are multi-ply hardwood plywood inserted into dado in front, back and sides. All drawer parts glued and stapled together.

DRAWER GUIDES - High quality epoxy coated steel, Cushion-Tec, side mounted guides, self adjusting in mounting brackets. Built-in stop, self-closing and stay-closed features with a 100 lb. rated load capacity.

HINGES - (Standard on all doors) Heavy duty, high quality steel, concealed 6-way adjustable hinge with self-closing feature. (Optional) High quality steel wrap-around hinge with self closing feature (available on standard reveal door styles only).

DOVETAIL DRAWER (Upgrade option) - Front, back and sides are nominal 3/4" thick (19 mm) solid beech hardwood with dovetail

construction. Drawer bottoms are nominal 3/16" (5 mm) multi-ply hardwood birch plywood inserted into dado in front, back and sides. Drawer bottoms are glued and stapled to sides.

UNDERMOUNT DRAWER GUIDE (Standard with dovetail drawer only) - High quality steel, undermount construction provides full drawer access. Self adjusting in mounting brackets. Built-in stop, self-closing and stay closed features with a 75 lb. rated load capacity.

SOFT-CLOSE UNDERMOUNT DRAWER GUIDE (Deluxe upgrade with dovetail drawer only) - High quality steel, undermount construction provides soft-close feature that helps reduce drawer slamming. Drawers are full extension, self adjusting in mounting brackets. Built-in stop, self-closing and stay closed features with a 100 lb. rated load capacity.

PREMIER SPECIFICATIONS

PREMIER
S E R I E S